



INSD02PTZ30XT **| 2MP 30X Starlight PTZ** **Network Camera - H.265** **Version**

Unify your **Security** **Solution**

This camera responds accurately to specific events in a given area. Our algorithm enables Tripwire violations, intrusion detection, abandoned/missing objects and much more. Facilitate your viewing experience using on the edge analytics – one product, multiple features.

Smart Motion Detection

Our new generation of cameras comes with an intelligent algorithm of Smart Motion Detection technology able to recognize vehicles & humans from other types of objects. This technology avoids triggering alarms unnecessarily.

Wide Dynamic Range

Our camera offers TRUE WDR technology produce a high-quality picture across a wide range of lighting levels.

Protection – IP67 | IK10

Certified with the immersion tests (IP67) and its resistance to impacts by Kinetic energy (IK10). This means that your camera will withstand harsh environments.

Technical Specifications

Camera				
Image Sensor	1/2.8" 2 Megapixel STARVIS™ progressive scan CMOS			
Effective Pixels	1920(H) x 1080(V)			
RAM/ROM	512MB / 128MB			
Scanning System	Progressive			
Electronic Shutter Speed	1/1s~1/30,000s			
Minimum Illumination	Color: 0.005 Lux at F1.6; B/W: 0.0005 Lux at F1.6			
S/N Ratio	More than 55dB			
IR Distance	N/A			
IR LEDs	N/A			
Camera Features				
Day/Night	Auto(ICR) / Color / B/W			
Blacklight Compensation	BLC / HLC / WDR(120dB)			
White Balance	Auto, ATW, Indoor, Outdoor, Manual			
Gain Control	Auto/ Manual			
Noise Reduction	Ultra DNR (2D/3D)			
Digital Zoom	16x			
Motion Detetion	Support			
Region of Interest	Support			
Privacy Masking	Up to 24 areas			
Lens				
Focal Length	4.5mm~135mm			
Max. Aperture	F1.6 ~ F4.4			
Viewing Angle	H: 67.8° ~ 2.4°			
Optical Zoom	30x			
Focus Control	Auto/ Manual			
Pan/Tilt/Rotation	Pan: 0° ~ 360° endless; Tilt: 0° ~ 90°, auto flip 180°			
DORI	Detect	Observe	Recognize	Identify
Distance	1862m (6109ft)	744m (2441ft)	372m (1220ft)	186m (610ft)
Video				
Compression	H.265+ / H.265 / H.264+ / H.264			
Resolution	1080P (1920 × 1080) / 1.3MP (1280 × 960)/ 720P(1280 × 720) / D1 (704 × 576 / 704 × 480) / CIF (352 × 288 / 352 × 240)			
Frame Rate	Main stream: 1080P / 1.3MP / 720P(1 ~ 50/60fps)			
	Sub Stream: D1/ CIF(1 ~ 25/30fps)			
	Third Stream: 1080P / 1.3MP / 720P / D1 / CIF (1~25/30fps)			
Bit Rate	H.265/ H.264: 448K ~ 8192Kbps			

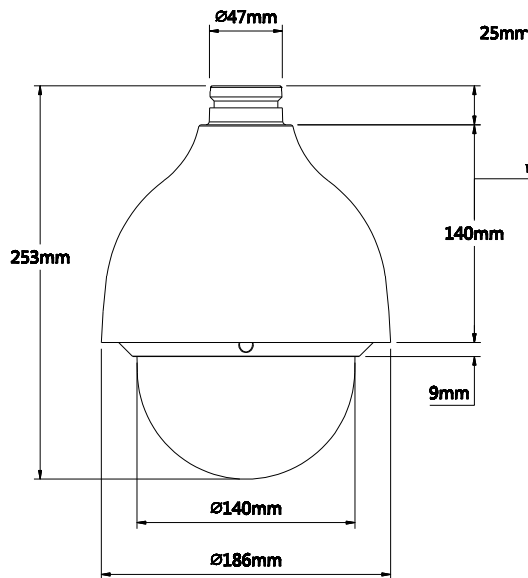
Technical Specifications

Audio	
Compression	G.711a/ G.711Mu/ AAC/ G.722 / G.726/ G.729/ MPEG2-L2
PTZ	
Manual Control Speed	Pan: 0.1° ~350° /s; Tilt: 0.1° ~250° /s
Preset Speed	Pan: 500° /s; Tilt: 500° /s
Presets	300
PTZ Mode	5 Patterns, 8 Tours, Auto Pan ,Auto Scan
Speed Setup	Human-oriented focal Length/ speed adaptation
Power up Action	Auto restore to previous PTZ and lens status after power failure
Idle Motion	Activate Preset/ Scan/ Tour/ Pattern if there is no command in the specified period
Intelligent Functions	
IVS	Tripwire, Intrusion,Abandoned/Missing
Auto Tracking	Support
Network	
Ethernet	RJ-45 (10Base-T/100Base-TX)
Protocol	IPv4/IPv6, HTTP, HTTPS, SSL, TCP/IP, UDP, UPnP, ICMP, IGMP, SNMP, RTSP, RTP, SMTP, NTP, DHCP, DNS, PPPOE, DDNS, FTP, IP Filter, QoS, Bonjour,802.1x
Compatibility	ONVIF, PSIA, CGI
Maximum User Access	20 Users
Smart Phone	iOS, Android
Interface	
Video Interface	N/A
Audio Interface	1/1
RS485	N/A
Alarm	2/1
General	
Power Supply	AC24V/1.5A(±10%), PoE+(802.3at)
Power Consumption	13W, 23W (Heater on)
Working Environment	-40°C ~ +50°C / Less than 90% RH
Ingress Protection	IP67
Vandal Protection	IK10
Dimensions	Φ186(mm) x 253(mm)

Accessories



Dimensions (mm)



Mounting solution

Ceiling Mount	Junction Mount
INSX110 + INSX300	INSX110 + INSX300S + INSX120
Power Box Mount	Pole Mount
INSX110 + INSX300S + INSX140	INSX110 + INSX300S + INSX150
Corner Mount	Parapet Mount
INSX110 + INSX300S + INSX151	INSX110 + INSPARA